



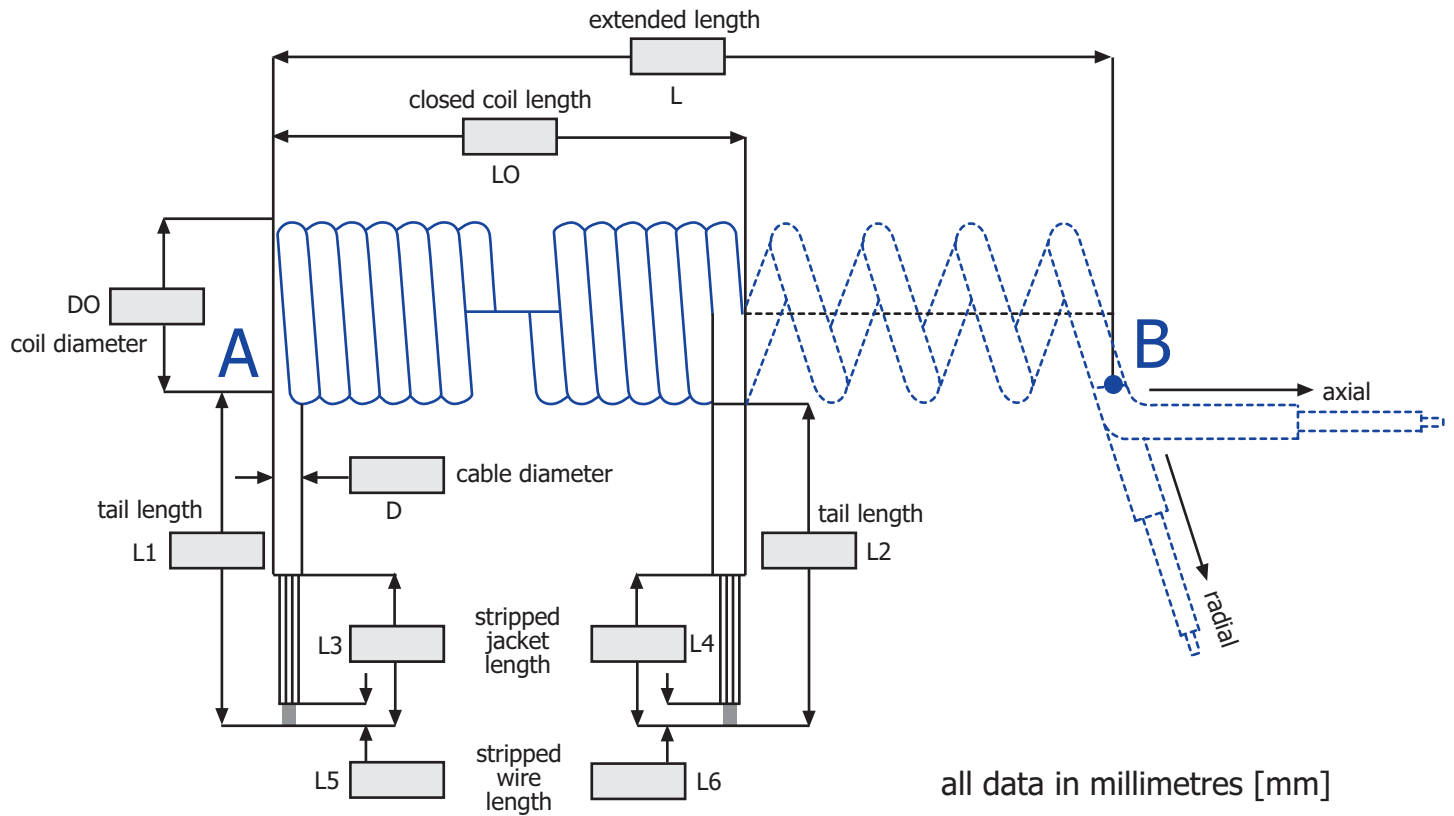
Inquiry Form for Coiled Cable

company:

contact:

phone:

e-mail:



assembling of tail A:

- axial
- radial

assembling of tail B:

- axial
- radial

Here you have the possibility for additional information, for example on the cables material, conditions of use, special requirements and proposed demands.